

AMERICAN MOTORS PARTS CATALOG

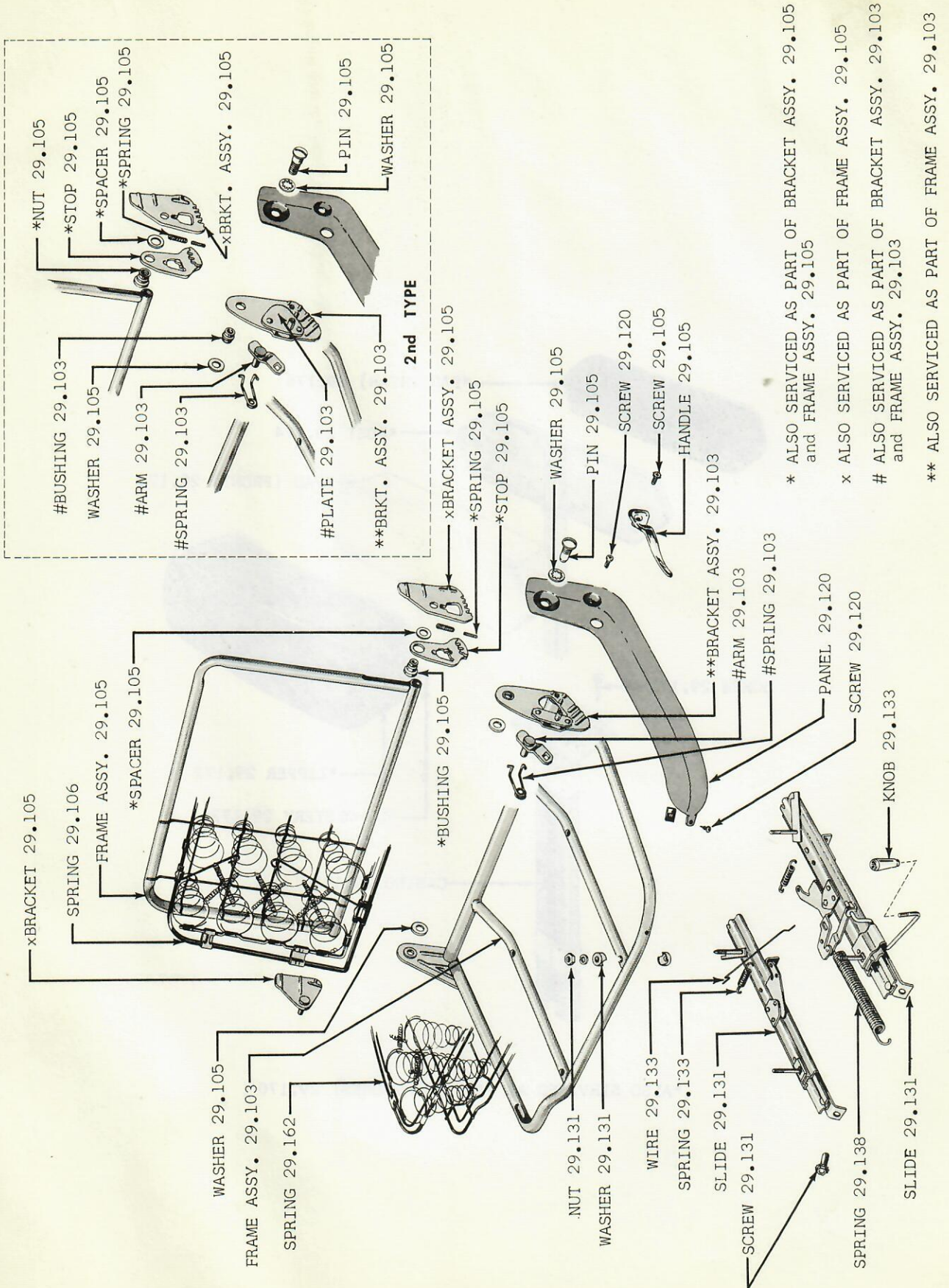
GROUP 29 TRIM MATERIALS

DESCRIPTION	GROUP AND FIGURE NO.	GROUP NO.
ARMREST, Door	29.075
ARMREST, Rear Quarter Side	29.075
ARMREST, Rear Seat Back Center	29.230
BACK, Rear Seat Trimmed	29.210
BACK, Trimmed Front Seat	29.101
BOARD, Rear Seat Back Center Armrest	29.234
BRACKET, Front Seat Adjuster Extension	29.129
BRACKET, Rear Seat Back Guide	29.219
BRACKET, Reclining Front Seat Back Frame	29-1	29.105
BUTTON, Plug	29.340
CARPET, Front Floor	29.294
CARPET, Rear Auxiliary (Cargo Mat) Floor	29.420
CARPET, Rear Floor	29.302
CARPET, Rear Seat Back Pan (Mat)	29.425
CARPET, Rear Seat Cushion Frame (Mat)	29.430
CASING, Front Seat Back Headrest	29-2	29.171
CLIP, Rear Seat Back Footman Loop Retaining	29.219
CUSHION, Front Seat	29.150
CUSHION, Rear Seat	29.180
FASTENER, Door Trim Panel	29.073
FLAP, Rear Seat Back Center Armrest	29.245
FRAME ASSY., Front Seat Back	29-1	29.105
FRAME ASSY., Front Seat Bottom	29-1	29.103
FRAME, Rear Seat Back (Veneer)	29.220
FRAME, Rear Seat Cushion	29.190
HANDLE, Reclining Front Seat Back Frame	29-1	29.105
HEADREST, Front Seat Back	29-2, 0-9	29.170
HINGE, Rear Seat Back	29.221
HINGE, Rear Seat Cushion	29.191
HINGE STOP KIT, Reclining Front Seat Back Frame	29.105
INSULATION, Roof Pad	29.312
INSULATION, Underbody	29.309
LOOP, Rear Seat Back Footman	29.217
MAT, Front Floor	0-15	29.294
MAT, Rear Floor	29.302
MAT, Rear Trunk Compartment Floor	29.319
MOULDING, Front Door Trim Panel	29.084
MOULDING, Rear Door Trim Panel	29.084
MOULDING, Rear Quarter Side Trim Panel	29.053
MOULDING, Side Panel Inner	29.455
PAD, Door Armrest	29.075
PAD, Front Seat Back	29.108
PAD, Front Seat Back Headrest	29-2	29.176
PAD, Front Seat Back Kickpad	29.111
PAD, Front Seat Cushion Cotton	29.164
PAD, Front Seat Cushion Latex	29.168
PAD, Rear Quarter Armrest (Includes Support)	29.075
PAD, Rear Seat Back Center Armrest Cotton	29.237
PAD, Rear Seat Back Cotton (Includes Topper)	29.224
PAD, Rear Seat Cushion Cotton	29.194
PAD, Rear Seat Cushion Latex	29.198
PANEL, Rear Seat Back	29.216
PANEL, Center Pillar Trim	29.019
PANEL, Cowl Trim	29.010
PANEL, Front Seat Sidewing	29-1	29.120
PANEL, Rear Quarter Sidearm Trim	29.052

AMERICAN MOTORS PARTS CATALOG

DESCRIPTION	GROUP AND FIGURE NO.	GROUP NO.
PANEL, Rear Seat Sidewing Trim	29.205
PLATE, Outer Hinge	29-1	29.103
POST, Front Seat Back Headrest	29-2	29.174
RAGBOARD, Front Seat Back Kickpad	29.112
RAGBOARD, Front Side Panel	29.450
RAGBOARD, Rear Side Panel	29.460
RAIL, Rear Seat Back Robe	29.008
RETAINER, Headlining	29.014
RETAINER, Rear Seat Back Guide Bracket	29.219
ROD, Reclining Front Seat Back Frame	29.105
SEAT, Trimmed Front (Less Cushion)	29.100
SLIDE, Front Seat Adjusting	29-1	29.131
SPRING, Front Seat Adjusting Slide	29-1	29.138
SPRING, Front Seat Back	29-1	29.106
SPRING, Front Seat Cushion	29-1	29.162
SPRING, Rear Seat Back	29.222
SPRING, Rear Seat Back Center Armrest	29.236
SPRING, Rear Seat Cushion	29.192
SPRING, Reclining Front Seat Back Frame	29-1	29.105
STORMSTRIP	0-15	29.358
STRAP, Assist (Includes Bracket)	29.005
SUPPORT, Rear Seat Back Center Armrest	29.232
UPHOLSTERY, Front Seat Back Headrest	29-2	29.172
VISOR, Sun (Includes Bracket)	0-14, 0-15	29.003
WIRE, Front Seat Adjusting Slide Latch	29-1	29.133
WIRE, Front Seat Back Upholstery	29.113
WIRE, Headlining Listing	29.016

AMERICAN MOTORS PARTS CATALOG



* ALSO SERVICED AS PART OF BRACKET ASSY. 29.105 and FRAME ASSY. 29.105

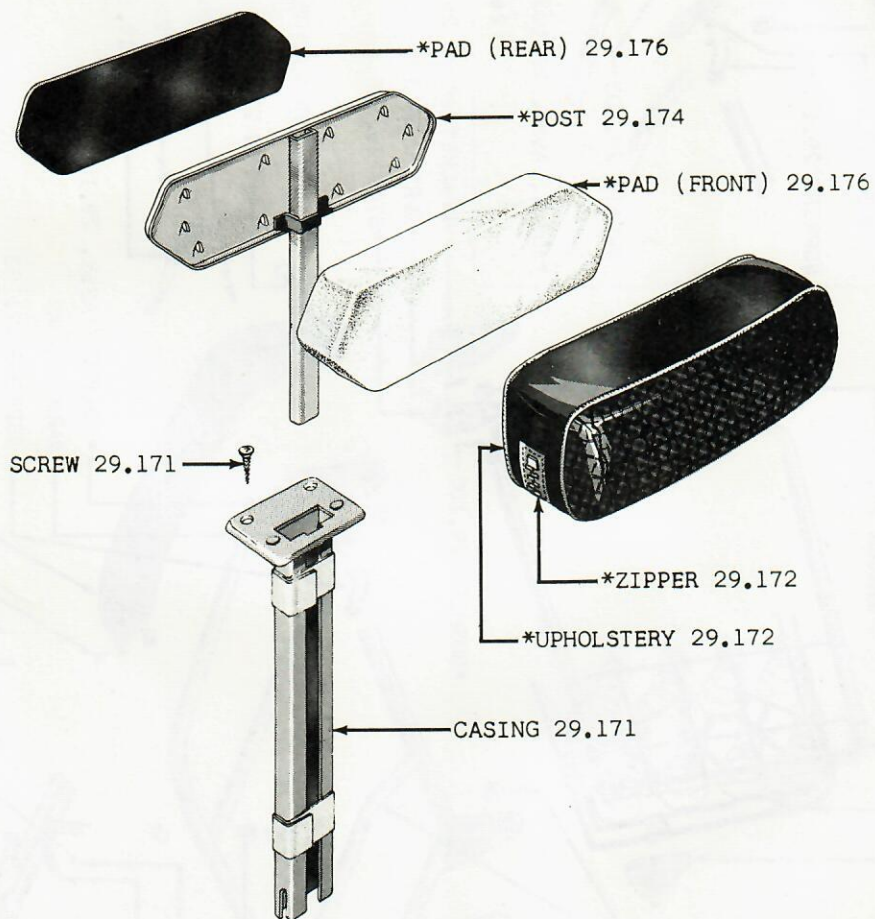
x ALSO SERVICED AS PART OF FRAME ASSY. 29.105

ALSO SERVICED AS PART OF BRACKET ASSY. 29.103 and FRAME ASSY. 29.103

** ALSO SERVICED AS PART OF FRAME ASSY. 29.103

GROUP 29 - FIG. 1 - INDIVIDUAL RECLINING FRONT SEATS 10-20-80

AMERICAN MOTORS PARTS CATALOG



*ALSO SERVICED AS PART OF HEADREST 29.170

AMERICAN MOTORS PARTS CATALOG

29.010

DESCRIPTION	YEAR AND MODEL	PER CAR PART NO.
-------------	----------------	------------------

All Soft Trim Parts must be ordered by description from your American Motors Automotive Parts Division Parts Warehouse specifying Model No., Serial No. and Trim No., and including a sample.

A Soft Trim Estimate Chart designed to aid you in preparing estimates involving Soft Trim Parts can be found following Group 30.000.

Individual component panels of any complete Upholstery Assemblies such as Seat Cushions and Seat Backs can be supplied cut to pattern if so desired. When ordering first identify the complete assembly from the Soft Trim Chart and then specify the individual panel or component required.

Bulk upholstery materials used in fabricating trim assemblies are also available. The width of the cloth and imitation leather varies from 54" to about 64". Cloth and imitation leather are sold by the running yard.

GROUP 29 TRIM MATERIALS

29.003 VISOR, Sun (Incl. Bracket)

VISOR (Non-Padded)(Black).....	59 01.....	2	343 4159
(Painted Bracket).....	59 10-20-80.....	2	343 5472
(Chrome Bracket).....	59 10-20.....	2	343 5478
(Blue).....	59 01.....	2	343 4161
(Painted Bracket).....	59 10-20-80.....	2	343 5474
(Chrome Bracket).....	59 10-20.....	2	343 5480
(Green).....	59 01.....	2	343 4163
(Painted Bracket).....	59 10-20-80.....	2	343 5476
(Chrome Bracket).....	59 10-20.....	2	343 5482
(Copper).....	59 10-20-80.....	2	343 5484
(Padded)(Black).....	59 10-20-80.....	2	343 4153
(Blue).....	59 10-20-80.....	2	343 4155
(Green).....	59 10-20-80.....	2	343 4157
(Copper).....	59 10-20-80.....	2	343 9683
SCREW.....	59 01-10-20-80.....	4	G162474

29.005 STRAP - HANDLE, Assist

STRAP (Cloth Material).....	59 15-25-85 (Taxi).....	2	342 3073
STRAP (Vinyl Covered).....	59 15-25-85 (Taxi).....	2	342 4852
HANDLE.....	59 15-25-85 (Taxi).....	2	343 0557
SCREW, Assist Strap.....	59 15-25-85.....	2	G162996
Handle.....	59 15-25-85.....	8	G440895

29.008 RAIL, Rear Seat Back Robe

RAIL.....	59 18-28-83-88.....	1	342 2467
STANCHION (Left).....	59 18-28-83-88.....	1	343 0075
(Right).....	59 18-28-83-88.....	1	343 0076
SCREW, Robe Rail Fastening (1-1/4" Lg.).....	59 18-28-83-88.....	4	G162513
(1-1/2" Lg.).....	59 18-28-83-88.....	4	G162517
To Stanchion.....	59 18-28-83-88.....	2	G161790

29.010 PANEL, Cowl Trim

RETAINER.....	59 10-20-80.....	2	342 5736
---------------	------------------	---	----------

AMERICAN MOTORS PARTS CATALOG

FASTENER, Cowl Trim Panel.....	59 01 (8 Req.): 59 10-20-80 (6 Req.).....	AR 438 3625
SCREW, Panel Retainer.....	59 10-20-80.....	2 439 5412

29.014 RETAINER, Headlining

RETAINER (Front)(Left).....	59 01.....	1 435 7919
	59 15-18-25-28-85-88.....	1 342 2815
(Right).....	59 01.....	1 435 7920
	59 15-18-25-28-85-88.....	1 342 2816
(Center)(Left).....	59 15-18-25-28-85-88.....	1 342 2813
(Right).....	59 15-18-25-28-85-88.....	1 342 2814
(Rear)(Left).....	59 10-20-80.....	1 341 1109
(Right).....	59 10-20-80.....	1 341 1110
PROTECTOR, Side Roof Rail Headlining (Rubber)..	59 02-06.....	2 343 1148
SCREW, Headlining Retainer.....	59 01 (6 Req.): 59 19-29-83-89 (8 Req.).....	AR 800 0107
	59 15-18-25-28-85-88.....	28 800 0107

29.016 WIRE, Headlining Listing (Note 29.016-1)

WIRE (No. 1)(Black).....	59 02-06.....	1 342 9451
(Maroon).....	59 04.....	1 342 9452
(Brown).....	59 15-19-25-29-85-89.....	1 341 1129
(Burgandy Or Black).....	59 18-28-83-88.....	1 341 2249
(No. 2)(Maroon).....	59 02-06.....	1 342 9452
(Red Or Pink).....	59 04.....	1 343 1782
(Red).....	59 15-19-25-29-85-89.....	1 341 1130
(Yellow).....	59 18-28-83-88.....	1 341 2250
(No. 3)(Beige).....	59 02-06.....	1 342 9453
(White).....	59 04.....	1 343 1783
(Yellow).....	59 15-19-25-29-85-89.....	1 341 1131
(Ultramarine).....	59 18-28-83-88.....	1 341 2251
(No. 4)(Gray).....	59 02-06.....	1 342 9454
(Blue).....	59 04.....	1 343 1784
(Incl. Domelight Support).....	59 15-19-25-29-85-89.....	1 341 1136
	59 18-28-83-88.....	1 341 2317
(No. 5)(Lavender).....	59 02-06.....	1 342 9455
(Green).....	59 04.....	1 343 1785
(White).....	59 15-19-25-29-85-89.....	1 341 1133
(Indigo Or Gold).....	59 18-28-83-88.....	1 341 2253
(No. 6)(Yellow).....	59 04.....	1 343 1786
(Blue).....	59 15-19-25-29-85-89.....	1 341 1134
	59 18-28-83-88.....	1 341 2254
(No. 7)(Green).....	59 15-19-25-29-85-89.....	1 341 1135
(Vandyke Brown).....	59 18-28-83-88.....	1 341 1829
(No. 8)(Flame Red Or Aluminum).....	59 18-28-83-88.....	1 341 1830
(No. 9)(Dark Green).....	59 18-28-83-88.....	1 341 1831
(No. 10)(Violet).....	59 18-28-83-88.....	1 341 2229
EYELET.....	59 01-10-20-80.....	18 316 383

29.019 PANEL, Center Pillar Trim

SCREW (Incl. Washer).....	59 15-18-25-28-85-88.....	8 439 5412
(#8 x 3/8")(Pan Head).....	59 19-29-89.....	8 G161859
(#7 x 1/2")(Flat Head).....	59 19-29-89.....	6 G161400

NOTE 29.016-1: Listing Wires are numbered from the Windshield to the rear of the car.

AMERICAN MOTORS PARTS CATALOG

	59 83-89.....	1	343 5332
(Lower).....	59 80.....	1	343 5334
(Right)(Upper).....	59 85-88.....	1	343 5331
	59 83-89.....	1	343 5333
(Lower).....	59 80.....	1	343 5335

29.103 FRAME, Front Seat Bottom

FRAME.....	59 01 (LRS).....	1	342 9077
	59 01 (WRS).....	1	342 9078
	59 10-20-80 (WFS).....	1	341 7129
	59 10-20-80 (WRS)(LIRS)(Note 29.103-1).....	1	343 7618
	59 10-20-80 (WRS)(LIRS)(Note 29.103-2).....	1	344 1396
(Left).....	59 10-20-80 (WIRS)(Note 29.103-1).....	1	343 5742
	59 10-20-80 (WIRS)(Note 29.103-2).....	1	344 1397
(Right).....	59 10-20-80 (WIRS)(Note 29.103-1).....	1	343 5743
	59 10-20-80 (WIRS)(Note 29.103-2).....	1	344 1398
BRACKET, Outer Hinge (Left).....	59 10-20-80 (WRS)(WIRS)(Note 29.103-1).....	1	343 7619
(Right).....	59 10-20-80 (WRS)(WIRS)(Note 29.103-1).....	1	343 7620
PLATE, Outer Hinge (Left).....	59 10-20-80 (WRS)(WIRS).....	1	343 5675
(Right).....	59 10-20-80 (WRS)(WIRS).....	1	343 5676
ARM, Frame Outer Hinge Adjusting.....	59 10-20-80 (WRS)(WIRS).....	2	343 5670
SPRING, Frame Outer Hinge (Left).....	59 10-20-80 (WRS)(WIRS).....	1	343 5672
(Right).....	59 10-20-80 (WRS)(WIRS).....	1	343 5673
BUSHING, Outer Hinge.....	59 10-20-80 (WRS)(WIRS)(Note 29.103-2).....	2	344 1383
POST, Center Hinge.....	59 10-20-80 (WRS).....	1	343 5674
BUTTON, Frame End Plug (Rubber).....	59 01 (LRS).....	2	437 2959

29.104 UPHOLSTERY, Front Seat Back (Order By Description And Specify (LRS) Or (WRS) And Trim No.)

29.105 FRAME, Front Seat Back

NON-RECLINING SEAT

FRAME.....	59 10-20-80.....	1	343 0727
(Police Cars)(Complete).....	59 10-20-80.....	1	343 0741
(Left).....	59 01.....	1	342 9135
(Right).....	59 01.....	1	342 9136
CAP, End Hinge Outer.....	59 01.....	2	342 9183
PIN (Cotter), End Hinge.....	59 01.....	2	G103372
Center Hinge.....	59 01.....	2	G103373
WASHER (Steel), Center Hinge Pin.....	59 01.....	2	800 0161
(Fibre), Center Hinge Pin.....	59 01.....	2	436 2857
(Dished), Back To Bottom Frame.....	59 10-20-80.....	3	435 0468
(Lock), Back To Bottom Frame.....	59 10-20-80.....	3	G120214
SCREW, Back To Bottom Frame (Center).....	59 10-20-80.....	1	G191941
(Side).....	59 10-20-80.....	2	341 6660
NUT, Back To Bottom Frame.....	59 10-20-80.....	3	G120376
(Incl. Lockwasher), Back To Bottom Frame..	59 10-20-80.....	3	G271184
SPACER, Sidewing To Seat Frame.....	59 10-20-80.....	2	341 6661

NOTE 29.103-1: The Fastening Nut for the Outer Hinge Pivot Pin is located in the Bottom Frame Outer Hinge Bracket.

NOTE 29.103-2: The Fastening Nut for the Outer Hinge Pivot Pin is located in the Back Frame Outer Hinge Bracket.

RECLINING SEAT

FRAME (Left).....	59 01.....	1 342 9122
	59 10-20-80 (Note 29.103-1).....	1 343 8507
	59 10-20-80 (Note 29.103-2).....	1 344 1461
(Right).....	59 01.....	1 342 9123
	59 10-20-80 (Note 29.103-1).....	1 343 8508
	59 10-20-80 (Note 29.103-2).....	1 344 1462
BRACKET, Left Back Hinge (Inner).....	59 01.....	1 341 7144
	59 10-20-80.....	1 343 5693
(Outer).....	59 01.....	1 341 7145
	59 10-20-80 (Note 29.103-1).....	1 343 5630
	59 10-20-80 (Note 29.103-2).....	1 344 1393
Right Back Hinge (Inner).....	59 01.....	1 341 7143
	59 10-20-80.....	1 343 5692
(Outer).....	59 01.....	1 341 7146
	59 10-20-80 (Note 29.103-1).....	1 343 5681
	59 10-20-80 (Note 29.103-2).....	1 344 1394
ROD, Seat Back (Left).....	59 01.....	1 342 9133
(Right).....	59 01.....	1 342 9134
STOP, Outer Hinge (Left).....	59 10-20-80.....	1 343 5685
(Right).....	59 10-20-80.....	1 343 5686
SPRING, Adjusting Rod (Left).....	59 01.....	1 341 7132
(Right).....	59 01.....	1 341 7133
Outer Hinge.....	59 10-20-80.....	2 343 5689
Center Hinge Stop.....	59 01.....	2 436 7373
HANDLE, Seat Back Adjusting (Left).....	59 01.....	1 436 2855
	59 10-20-80.....	1 343 5488
(Right).....	59 01.....	1 436 2856
	59 10-20-80.....	1 343 5489
SPACER, Stop And Ratchet.....	59 10-20-80.....	2 343 5690
BUSHING, Outer Hinge Mounting.....	59 10-20-80 (Note 29.103-1).....	2 343 5684
PIN, Center Hinge Bracket Stop.....	59 01.....	2 437 1114
End Hinge.....	59 01.....	2 437 1460
Outer Hinge Pivot.....	59 10-20-80 (Note 29.103-1).....	2 344 1426
	59 10-20-80 (Note 29.103-2).....	2 344 1381
Adjusting Handle.....	59 01.....	2 G121224
WASHER (Spring), Hinge Stop.....	59 01.....	2 436 8016
End Hinge Pin.....	59 01.....	2 G115551
Center Hinge Bracket.....	59 01.....	2 436 8017
Hinge Pivot Pin.....	59 01-10-20-80.....	4 436 2857
(Lock), Outer Hinge Pivot Pin.....	59 10-20-80 (Note 29.103-1).....	2 G138549
(Wave), Outer Hinge Pivot Pin.....	59 10-20-80 (Note 29.103-2).....	2 344 1630
NUT, End Hinge Pin.....	59 10-20-80 (Note 29.103-2).....	2 344 1382
HINGE STOP KIT, Center Bracket.....	59 01.....	1 447 5990
SUPPORT, Button Tie.....	59 80 (Custom).....	2 343 4924
SCREW, Back Adjusting Handle.....	59 10-20-80.....	2 G271138

29.106 SPRING, Front Seat Back

SPRING.....	59 10-20-80 (WFS).....	1 343 0642
(Heavy Duty).....	59 10-20-80 (WFS).....	1 447 8452
(Left).....	59 01 (LRS).....	1 342 9137
	59 01 (WRS).....	1 342 9120
	59 10-20-80 (WRS).....	1 343 8509
(Heavy Duty).....	59 01 (LRS).....	1 447 8302
	59 01 (WRS).....	1 447 8307

AMERICAN MOTORS PARTS CATALOG

	59 10-20-80 (WRS).....	1	447 8453
(Right).....	59 01 (LRS).....	1	342 9138
	59 01 (WRS).....	1	342 9121
	59 10-20-80 (WRS).....	1	343 8510
(Heavy Duty).....	59 01 (LRS).....	1	447 8303
	59 01 (WRS).....	1	447 8308
	59 10-20-80 (WRS).....	1	447 8454
CLIP "C".....	59 01-10-20-80.....	AR	434 5051
"U".....	59 01-10-20-80.....	AR	434 5052

29.108 PAD, Front Seat Back

PAD.....	59 10-20-80 (WFS).....	1	343 0285
	59 10-20-80 (WRS).....	2	342 8238
(Left).....	59 01.....	1	342 9178
(Right).....	59 01.....	1	342 9179

29.111 PAD, Front Seat Back Kickpad

PAD.....	59 80 (WFS).....	1	342 8556
	59 80 (WRS).....	2	342 6344

29.112 RAGBOARD, Front Seat Back Kickpad

RAGBOARD.....	59 80 (WFS).....	1	343 8584
(Left).....	59 80 (WRS).....	1	343 4933
(Right).....	59 80 (WRS).....	1	343 4934

29.113 WIRE, Front Seat Back Upholstery

WIRE (20")(Left).....	59 01.....	2	343 0027
(31")(Right).....	59 01.....	2	343 0028
(21-7/8")(Left).....	59 10-20-80 (WFS).....	1	341 2617
(29-3/4")(Right).....	59 10-20-80 (WFS).....	1	341 2618
(54-3/8").....	59 10-20-80 (WFS).....	1	341 2615
(19-3/4").....	59 80 (WFS)(Custom).....	2	342 9400
(48-3/4").....	59 80 (WFS)(Custom).....	1	343 1232
(25-1/4").....	59 10-20 (WRS): 59 80 (WRS)(Super).....	4	341 2094
(17-1/2").....	59 80 (WRS)(Custom).....	4	342 6818
(22-1/2").....	59 80 (WRS)(Custom).....	2	342 6862

29.120 PANEL, Front Seat Sidewing Trim (Note 29.120-1)

PANEL (Left).....	59 10-20-80 (WFS).....	1	343 5371
	59 10-20-80 (WRS).....	1	343 5379
(Right).....	59 10-20-80 (WFS).....	1	343 5372
	59 10-20-80 (WRS).....	1	343 5380
SPACER.....	59 10-20-80 (WFS).....	2	341 6661
SCREW (#8-15 x 3/8).....	59 10-20-80.....	2	800 0272
SCREW (#10-32 x 5/16).....	59 10-20-80 (WRS)(WIRS).....	2	G9406242

29.127 STOP, Front Seat Back End

STOP (Inner).....	59 01 (LRS).....	2	340 0744
(Outer).....	59 01 (LRS).....	2	343 1765
SCREW.....	59 01 (LRS).....	4	G161631

NOTE 29.120-1: The Metal Front Seat Sidewing Trim Panels will be serviced in Prime.

29.131 GLIDE, Front Seat Adjusting

SLIDE (Left).....	59 01.....	1	342 9085
	59 10-20-80 (LHD)(LIRS).....	1	342 5620
	59 10-80 (RHD).....	1	342 5623
(Right).....	59 01.....	1	342 9086
	59 10-20-80 (LHD)(LIRS).....	1	342 5621
	59 10-80 (RHD).....	1	342 5622
Left Front Seat (Left).....	59 10-20-80 (WIRS).....	1	342 5620
(Right).....	59 10-20-80 (WIRS).....	1	342 5621
Right Front Seat (Left).....	59 10-20-80 (WIRS).....	1	343 5660
(Right).....	59 10-20-80 (WIRS).....	1	342 5621
SCREW, Seat Adjuster To Floor.....	59 01-10-20-80 (LIRS)(4 Req.):		
	59 10-20-80 (WIRS)(8 Req.).....	AR	G181596
WASHER, Seat Adjuster To Floor.....	59 01.....	4	G120214
NUT, Seat Adjuster To Floor.....	59 01-10-20-80 (LIRS)(4 Req.):		
	59 10-20-80 (WIRS)(8 Req.).....	AR	G120376
WASHER, Seat Adj. To Seat (5/16 x 19/32).....	59 01-10-20-80.....	4	G120214
(11/32 x 3/4 x 1/4)..	59 01-10-20-80 (LIRS)(4 Req.):		
	59 10-20-80 (WIRS)(8 Req.).....	AR	435 0468
(11/32 x 3/4 x 21/64)	59 01-10-20-80 (LIRS)(4 Req.):		
	59 10-20-80 (WIRS)(8 Req.).....	AR	342 2359

29.133 WIRE, Front Seat Adjusting Slide Latch

WIRE.....	59 01-10-20-80 (LIRS).....	1	342 5672
	59 10-20-80 (WIRS).....	2	343 5738
SPRING, Latch Tension.....	59 01-10-20-80 (LIRS).....	2	343 8620
KNOB.....	59 01-10-20-80 (LIRS)(1 Req.):		
	59 10-20-80 (WIRS)(2 Req.).....	AR	315 5840

29.138 SPRING, Front Seat Adjusting Slide

SPRING.....	59 01-10-20-80.....	2	342 2358
-------------	---------------------	---	----------

29.150 CUSHION, Front Seat (Order Component Parts)

29.152 UPHOLSTERY, Front Seat Cushion (Order By Description And Specify (LIRS) Or (WIRS) And Trim No.)

SUPPORT, Cushion Upholstery Button Tie.....	59 80.....	8	343 8355
---	------------	---	----------

29.162 SPRING, Front Seat Cushion

SPRING.....	59 01.....	1	343 4626
	59 10-20-80 (LIRS).....	1	343 5699
(Heavy Duty).....	59 01.....	1	447 8451
	59 10-20-80 (LIRS).....	1	447 8459
(Left).....	59 10-20-80 (WIRS).....	1	343 5754
(Heavy Duty).....	59 10-20-80 (WIRS).....	1	447 8460
(Right).....	59 10-20-80 (WIRS).....	1	343 5755
(Heavy Duty).....	59 10-20-80 (WIRS).....	1	447 8461
CLIP "C".....	59 01-10-20-80.....	AR	434 5051
"U".....	59 01-10-20-80.....	AR	434 5052

29.164 PAD, Front Seat Cushion Cotton

PAD.....	59 01.....	1	342 9177
	59 15-18-25-85.....	1	343 5497

29.168 PAD, Front Seat Cushion Latex

PAD.....	59 01.....	1	342 9166
	59 10-20-80 (LIRS).....	1	341 1533
	59 10-20-80 (WIRS).....	2	343 5498
SUPPORT.....	59 01-10-20-80 (LIRS).....	1	340 1000
	59 10-20-80 (WIRS).....	1	343 5370
PROTECTOR (Front Edge).....	59 01.....	1	435 5427
	59 10-20-80 (LIRS).....	1	341 2013
	59 10-20-80 (WIRS).....	2	343 5336
(Rear Edge).....	59 10-20-80 (LIRS).....	1	341 2012
	59 10-20-80 (WIRS).....	2	343 5337
(Left).....	59 01.....	1	340 1001
(Right).....	59 01.....	1	340 1002

29.170 HEADREST ASSEMBLY, Front Seat Back

HEADREST ASSEMBLY (CP.)(Less Upholstery)			
(Incl. Casing).....	59 10-20-80.....	AR	447 8051
(CP.)(Less Upholstery)			
(Less Casing).....	59 10-20-80.....	AR	447 8052

29.171 CASING, Front Seat Back Headrest

CASING (Incl. Top Plate).....	59 10-20-80.....	1	343 5732
RAGBOARD, Casing Protector.....	59 10-20-80.....	1	343 5740
SPRING, Casing Anti-Rattle.....	59 10-20-80 (1 Per Headrest).....	AR	344 1162
SCREW, Plate Fastening.....	59 10-20-80 (2 Per Headrest).....	AR	G168488

29.172 UPHOLSTERY, Front Seat Back Headrest

UPHOLSTERY (T-920)(T-922).....	59 10-20.....	AR	447 8369
(T-921)(T-932)(T-972).....	59 10-20-80.....	AR	447 8401
(T-923).....	59 10-20.....	AR	447 8436
(T-924).....	59 10-20.....	AR	447 8431
(T-925).....	59 10-20.....	AR	447 8385
(T-933)(T-973).....	59 10-20-80.....	AR	447 8438
(T-934)(T-974).....	59 10-20-80.....	AR	447 8368
(T-935)(T-975).....	59 10-20.....	AR	447 8477
(T-941).....	59 10-20.....	AR	447 8437
(T-942).....	59 10-20.....	AR	447 8504
(T-943).....	59 10-20.....	AR	447 8464
(T-944).....	59 10-20.....	AR	447 8420
(T-945).....	59 10-20.....	AR	447 8479
(T-946).....	59 10-20.....	AR	447 8405
(T-947).....	59 10-20.....	AR	447 8374
(T-948).....	59 10-20.....	AR	447 8392
(T-949).....	59 10-20.....	AR	447 8404
(T-951)(T-991).....	59 10-20-80.....	AR	447 8476
(T-952)(T-992).....	59 10-20-80.....	AR	447 8495
(T-953)(T-993).....	59 10-20-80.....	AR	447 8474
(T-954)(T-994).....	59 10-20-80.....	AR	447 8473
(T-955)(T-995).....	50 10-20-80.....	AR	447 8447
(T-955)(T-996).....	59 10-20-80.....	AR	447 8399
(T-957)(T-997).....	59 10-20-80.....	AR	447 8425
(T-958)(T-998).....	59 10-20-80.....	AR	447 8370
(T-959)(T-999).....	59 10-20-80.....	AR	447 8496
(T-962).....	59 10-20-80.....	AR	447 8463

AMERICAN MOTORS PARTS CATALOG

29.210

(T-963).....	59 85-88.....		AR 447 8439
(T-964).....	59 85-88.....		AR 447 8391
(T-965).....	59 85-88.....		AR 447 8418
(T-981).....	59 80.....		AR 447 8471
(T-982).....	59 80.....		AR 447 8440
(T-983).....	59 80.....		AR 447 8470
(T-984).....	59 80.....		AR 447 8480
(T-985).....	59 80.....		AR 447 8441
(T-986).....	59 80.....		AR 447 8429
(T-987).....	59 80.....		AR 447 8398
(T-988).....	59 80.....		AR 447 8443
(T-989).....	59 80.....		AR 447 8492
ZIPPER.....	59 10-20-80 (1 Per. Headrest).....		AR 343 9919
29.174 POST, Front Seat Back Headrest			
POST (Incl. Frame And Friction Catch).....	59 10-20-80.....	1	343 9920
CATCH, Friction.....	59 10-20-80.....	2	447 8409
29.176 PAD, Front Seat Back Headrest			
PAD (Front).....	59 10-20-80.....	1	343 5543
(Rear).....	59 10-20-80.....	1	343 9918
29.180 CUSHION, Rear Seat (Order Component Parts)			
29.192 SPRING, Rear Seat Cushion			
SPRING.....	59 04-06 (L/Rear Qtr. Armrest).....	1	342 9109
	59 06 (W/Rear Qtr. Armrest).....	1	342 9090
	59 10-20-80.....	1	342 2398
(Modified Radius).....	59 10-20-80 (Taxi).....	1	342 2362
(Heavy Duty).....	59 04-06 (L/Rear Qtr. Armrest).....	1	447 8306
	59 06 (W/Rear Qtr. Armrest).....	1	447 8472
	59 10-20-80.....	1	447 8382
(Modified Radius).....	59 10-20-80 (Taxi).....	1	447 8462
CLIP "C".....	59 01-10-20-80.....	AR	434 5051
"U".....	59 01-10-20-80.....	AR	434 5052
29.194 PAD, Rear Seat Cushion Cotton			
PAD.....	59 04-06 (L/Rear Qtr. Armrest).....	1	342 9181
	59 04-06 (W/Rear Qtr. Armrest).....	1	342 9180
	59 10-20-80.....	1	341 8140
29.198 PAD, Rear Seat Cushion Latex			
PAD.....	59 04-06 (L/Rear Qtr. Armrest).....	1	343 0553
	59 04-06 (W/Rear Qtr. Armrest).....	1	343 0554
	59 10-20-80.....	1	341 1534
SUPPORT.....	59 04-06 (L/Rear Qtr. Armrest).....	1	438 2908
	59 04-06 (W/Rear Qtr. Armrest).....	1	435 5441
	59 10-20-80.....	1	341 1856
PROTECTOR.....	59 04-06 (L/Rear Qtr. Armrest).....	1	438 2894
	59 04-06 (W/Rear Qtr. Armrest).....	1	435 5426
	59 10-20-80.....	1	341 2013
29.210 BACK, Rear Seat Trimmed (Order Component Parts)			

29.219 BRACKET - RETAINER, Rear Seat Back

BRACKET, Guide (On Rear Seat Back).....	59 04-18-28-83-88: 59 18-28-88 Ambulance.....	2	342 5719
RETAINER, Guide Bracket (On Wheelhouse).....	59 04-18-28-83-88: 59 18-28-88 Ambulance.....	2	342 5715
COVER, Retainer (Metal)(On Wheelhouse).....	59 04-18-28-83-88: 59 18-28-88 Ambulance (Note 29.219-1).....	2	342 5790
(Plastic)(Black)(On Wheelhouse)	59 04-18-28-83-88: 59 18-28-88 Ambulance.....	2	343 8825
(Blue)(On Wheelhouse).	59 04-18-28-83-88: 59 18-28-88 Ambulance.....	2	343 8826
(Green)(On Wheelhouse)	59 04-18-28-83-88: 59 18-28-88 Ambulance.....	2	343 8827
SCREW, Guide Bracket (1-1/4" Lg.).....	59 04-18-28-83-88.....	6	G162513
(1-1/2" Lg.).....	59 04-18-28-83-88.....	6	G162517
	59 18-28-88 Ambulance.....	6	343 8502
Retainer Cover.....	59 04-18-28-83-88: 59 18-28-88 Ambulance.....	4	G172431
WASHER, Guide Bracket.....	59 04-18-28-83-88: 59 18-28-88 Ambulance.....	6	G454763

29.220 FRAME - STRAP, Rear Seat Back

FRAME (Board).....	59 04.....	1	343 5764
	59 18-28-83-88.....	1	343 4860
	59 18-28-88 Ambulance.....	1	342 8963
	59 18-28-88 Ambulance.....	1	342 8964
STRAP.....	59 04.....	2	343 5759
	59 18-28-83-88 (2 Req.): 59 18-28-88 Ambulance (4 Req.).....	4	343 1161
PLATE, Hinge Fastening.....	59 04-18-28-83-88.....	2	343 9346
Back Retainer.....	59 04.....	2	343 1958
	59 18-28-83-88.....	2	343 9283
SUPPORT, Frame (Left).....	59 18-28-88 Ambulance.....	1	342 3363
(Right).....	59 18-28-88 Ambulance.....	1	342 3364
BRACKET, Frame Support.....	59 18-28-88 Ambulance.....	4	342 3365
STUD, Strap Anchoring.....	59 04-18-28-83-88: 59 18-28-88 Ambulance.....	4	343 1239
SCREW, Anchor Stud.....	59 04-18-28-83-88: 59 18-28-88 Ambulance.....	4	G161375
Support Bracket.....	59 18-28-88 Ambulance.....	8	G187804
NUT, Back Frame Tee.....	59 04-18-28-83-88 (14 Req.): 59 18-28-88 Ambulance (22 Req.).....	AR	G143711

29.221 HINGE, Rear Seat Back

HINGE (Outer).....	59 04.....	2	343 5770
	59 18-28-83-88: 59 18-28-88 Ambulance.....	2	343 7666
(Center).....	59 18-28-88 Ambulance.....	1	343 0831
(Less Spacer).....	59 18-28-88 Ambulance.....	2	343 0832
RIVET, Back Hinge.....	59 18-28-83-88 (2 Req.): 59 18-28-88 Ambulance (4 Req.).....	AR	G135750
WASHER, Back Hinge.....	59 18-28-83-88 (2 Req.): 59 18-28-88 Ambulance (4 Req.).....	AR	311 8321
SCREW, Back To Hinge (12-24 x 1).....	59 04-18-28-83-88 (2 Req.): 59 18-28-88 Ambulance (4 Req.).....	AR	G187804
(12-11 x 1).....	59 04.....	4	G162017

29.222 SPRING, Rear Seat Back

SPRING.....	59 04.....	1	343 5767
	59 06.....	1	343 1658
	59 15-19-25-85-89.....	1	342 2399
	59 18-28-83-88.....	1	342 2379
(Heavy Duty).....	59 04.....	1	447 8450

NOTE 29.219-1: The Rear Seat Back Guide Bracket Cover will be serviced in Prime. Dealer must paint to desired color.

AMERICAN MOTORS PARTS CATALOG

29.294

	59		1	447 8449
	59	15-19-25-29-85-89.....	1	447 8455
	59	18-28-83-88.....	1	447 8456
(Left).....	59	18-28-88 Ambulance.....	1	342 8967
(Heavy Duty).....	59	18-28-88 Ambulance.....	1	447 8457
(Right).....	59	18-28-88 Ambulance.....	1	342 8968
(Heavy Duty).....	59	18-28-88 Ambulance.....	1	447 8458
INSULATION.....	59	06.....	1	343 5718
SUPPORT, Button Tie.....	59	15-19-25-29-85-89 (Custom).....	1	342 8242
STUD, Back To Shelf.....	59	01-15-19-25-29-85-89.....	2	434 7962
WASHER, Back To Shelf.....	59	01.....	2	G454763
	59	15-19-25-29-85-89.....	2	G173124
NUT, Back To Shelf.....	59	01-15-19-25-29-85-89.....	2	G120375
SCREW, Back To Shelf.....	59	01.....	2	G161860
	59	15-19-25-29-85-89.....	2	438 6577

29.224 PAD, Rear Seat Back

PAD.....	59	04.....	1	343 5766
	59	06.....	1	342 9182
	59	15-19-25-29-85-89.....	1	342 8240
	59	18-28-83-88.....	1	342 2378
(Left).....	59	18-28-88 Ambulance.....	1	342 8969
(Right).....	59	18-28-88 Ambulance.....	1	342 8970

29.294 MAT - CARPET, Front Floor

MAT (Rubber)(Black)(Plain Pattern).....	59	01 (Deluxe).....	1	315 6133
(Rubber Insert).....	59	01 (Deluxe And Super).....	1	315 6134
	59	15-18-25-85-88 (Deluxe)(LHD).....	1	315 6241
	59	10-20-80 (Super)(LHD).....	1	315 6242
	59	10-80 (RHD).....	1	315 6263
(Heavy Duty).....	59	15-18-25-85 (Fleet).....	1	315 6239
(Blue).....	59	01 (Super).....	1	315 6135
	59	10-20-80 (LHD).....	1	315 6244
	59	10-80 (RHD).....	1	315 6265
(Green).....	59	01 (Super).....	1	315 6136
	59	10-20-80 (LHD).....	1	315 6243
	59	10-80 (RHD).....	1	315 6264
CARPET (Black).....	59	10-20 (LHD).....	1	343 8552
	59	10-20 (RHD).....	1	343 8558
	59	80 (LHD).....	1	343 8598
	59	80 (RHD).....	1	343 8604
(Blue).....	59	10-20 (LHD).....	1	343 8553
	59	10-20 (RHD).....	1	343 8559
	59	80 (LHD).....	1	343 8599
	59	80 (RHD).....	1	343 8605
(Green).....	59	10-20 (LHD).....	1	343 8554
	59	10-20 (RHD).....	1	343 8560
	59	80 (LHD).....	1	343 8600
	59	80 (RHD).....	1	343 8606
(Copper).....	59	10-20 (LHD).....	1	343 9654
	59	10-20 (RHD).....	1	343 9656
	59	80 (LHD).....	1	343 9645
	59	80 (RHD).....	1	343 9647
PAD.....	59	10-20-80 (Custom).....	1	343 8573
FILLER, Front Floor Sill.....	59	10-20-80.....	2	341 2261
FASTENER, Floor Mat.....	59	01-10-20-80.....	5	439 6648
RETAINER, Floor Mat.....	59	10-20-80.....	1	315 5611
SCREW.....	59	01-10-20-80.....	6	439 5412

AMERICAN MOTORS PARTS CATALOG

29.302 MAT - CARPET, Rear Floor

MAT (Rubber)(Black)(Plain Pattern).....	59 01 (Deluxe).....	1 343 0568
(Rubber Insert).....	59 01 (Deluxe And Super).....	1 342 9185
(Heavy Duty).....	59 15-18-25-85-88 (Deluxe).....	1 341 9523
(Black And Gray).....	59 15-18-25-85-88 (Deluxe).....	1 343 0613
(Blue).....	59 15-18-25-28-85-88 (Super).....	1 342 5780
(Green).....	59 19 (Super).....	1 342 5785
	59 04-06.....	1 343 3030
	59 15-18-25-28-85-88.....	1 343 3007
	59 19.....	1 343 4199
	59 04-06.....	1 343 3047
	59 15-18-25-28-85-88.....	1 343 3022
	59 19.....	1 343 4410
CARPET (Black)(Center).....	59 10-20-80 (Note 29.302-1).....	1 343 4495
(Center And Side).....	59 15-18-25-28-85-88 (Note 29.302-2).....	1 344 1570
(Side)(Left).....	59 29-83-89 (Note 29.302-2).....	1 344 1574
(Right).....	59 15-18-25-28-85-88 (Note 29.302-1).....	1 343 4501
(Sill)(Left).....	59 29-83-89 (Note 29.302-1).....	1 343 4507
(Right).....	59 15-18-25-28-85-88 (Note 29.302-1).....	1 343 4502
(Sill)(Left).....	59 29-83-89 (Note 29.302-1).....	1 343 4508
(Right).....	59 10-20-80.....	1 343 4525
(Sill)(Left).....	59 10-20-80.....	1 343 4526
(Right).....	59 10-20-80 (Note 29.302-1).....	1 343 4496
(Sill)(Left).....	59 15-18-25-28-85-88 (Note 29.302-2).....	1 344 1571
(Right).....	59 29-83-89 (Note 29.302-2).....	1 344 1575
(Sill)(Left).....	59 15-18-25-28-85-88 (Note 29.302-1).....	1 343 4503
(Right).....	59 29-83-89 (Note 29.302-1).....	1 343 4509
(Sill)(Left).....	59 15-18-25-28-85-88 (Note 29.302-1).....	1 343 4504
(Right).....	59 29-83-89 (Note 29.302-1).....	1 343 4510
(Sill)(Left).....	59 10-20-80.....	1 343 4527
(Right).....	59 10-20-80.....	1 343 4528
(Sill)(Left).....	59 10-20-80 (Note 29.302-1).....	1 343 4497
(Right).....	59 15-18-25-28-85-88 (Note 29.302-2).....	1 344 1572
(Sill)(Left).....	59 29-83-89 (Note 29.302-2).....	1 344 1576
(Right).....	59 15-18-25-28-85-88 (Note 29.302-1).....	1 343 4505
(Sill)(Left).....	59 29-83-89 (Note 29.302-1).....	1 343 4511
(Right).....	59 15-18-25-28-85-88 (Note 29.302-1).....	1 343 4506
(Sill)(Left).....	59 29-83-89 (Note 29.302-1).....	1 343 4512
(Right).....	59 10-20-80.....	1 343 4529
(Sill)(Left).....	59 10-20-80.....	1 343 4530
(Right).....	59 10-20-80 (Note 29.302-1).....	1 343 9408
(Sill)(Left).....	59 15-18-25-28-85-88 (Note 29.302-2).....	1 344 1573
(Right).....	59 29-83-89 (Note 29.302-2).....	1 344 1577
(Sill)(Left).....	59 15-18-25-28-85-88 (Note 29.302-1).....	1 343 9639
(Right).....	59 29-83-89 (Note 29.302-1).....	1 343 9641
(Sill)(Left).....	59 15-18-25-28-85-88 (Note 29.302-1).....	1 343 9640
(Right).....	59 29-83-89 (Note 29.302-1).....	1 343 9642
(Sill)(Left).....	59 10-20-80.....	1 343 9643
(Right).....	59 10-20-80.....	1 343 9644
(Sill)(Left).....	59 10-20-80.....	1 341 9896
(Right).....	59 15-18-25-28-85-88.....	2 341 2262
(Sill)(Left).....	59 19-29-83-89.....	2 341 2263
(Right).....	59 01-10-20-80.....	4 439 5412
(Sill)(Left).....	59 10-20-80.....	10 439 5412
(Right).....		

NOTE 29.302-1: The Rear Floor Carpet on these Models consists of Five Sections.

NOTE 29.302-2: The Rear Floor Carpet on these Models consists of Three Sections.

29.309 INSULATION, Underbody

INSULATION (Dash)(Center).....	59 10-20-80 (LHD).....	1	341 0186
	59 10-80 (RHD).....	1	342 8393
(Left).....	59 01.....	1	342 5970
	59 10-20-80.....	1	342 4147
(Right).....	59 01.....	1	342 5971
	59 10-20-80 (LHD).....	1	342 4148
	59 10-80 (RHD).....	1	342 8394
(Toeboard).....	59 01.....	1	342 5983
	59 10-20-80 (LHD).....	1	342 7615
	59 10-80 (RHD).....	1	342 7616
(Cowl Side)(Left).....	59 80.....	1	342 7997
(Right).....	59 80.....	1	342 7998
(Front Floor)(Center).....	59 10-20-80.....	1	343 4409
(Left).....	59 10-20-80.....	1	343 4408
(Right).....	59 10-20-80 (LHD).....	1	342 8492
	59 10-80 (RHD).....	1	342 8498
(Under Front Seat).....	59 10-20-80 (LAC)(LDE).....	1	343 0805
	59 10-20-80 (LAC-WDE)(WAC).....	2	343 0805
PAD, Toeboard Insulation.....	59 01.....	2	434 5908
FASTENER, Dash Insulation.....	59 01 (6 Req.): 59 10-20-80 (3 Req.).....	AR	439 6648

29.312 INSULATION, Roof Pad

INSULATION.....	59 02-06.....	2	436 8548
(42" x 40").....	59 04 (Deluxe)(2 Req.): 59 04 (Super)(1 Req.)	AR	436 8549
(8" x 40")(Front).....	59 04 (Super).....	1	343 2194
(34" x 40")(Rear).....	59 04 (Super).....	1	343 2191
(36" x 50).....	59 15-19-25-29-85-89.....	2	341 2256
	59 18-28-83-88.....	3	341 2256
(5" x 6").....	59 10-20-80.....	6	437 0513

29.319 MAT, Rear Trunk Compartment Floor

MAT (Burtex)(Black).....	59 01.....	1	899 0555
(Rubber)(Black).....	59 01.....	1	899 0581
	59 15-19-25-29-85-89 (LWC).....	1	343 5388
	59 15-19-25-29-85-89 (WWC).....	1	343 5387

29.340 BUTTON, Plug

BUTTON (For 1/2" Dia. Hole).....	59 10-20-80.....	1	313 6249
(For 9/16" Dia. Hole).....	59 10-20-80.....	AR	343 0169
(For 5/8" Dia. Hole).....	59 10-20-80 (L/Heater).....	1	438 6636
(For 3/4" Dia. Hole)(Rubber).....	59 10-20-80.....	1	437 5875
(Plastic).....	59 01-10-20-80.....	1	343 1154
(For 1" Dia. Hole).....	59 10-20-80.....	1	437 2959
(For 1-1/8" Dia. Hole).....	59 01 (LRS).....	2	343 1643
(For 1-1/4" Dia. Hole)(Rubber).....	59 10-20-80.....	AR	437 5876
(Plastic).....	59 01-10-20-80.....	AR	343 1223
(Parking Brake Cable Hole)....	59 10-20-80.....	1	315 3393

AMERICAN MOTORS PARTS CATALOG

29.358 STORMSTRIP (Order By The Foot)

STORMSTRIP (Black)(Door)(T-900)(T-901)(T-902)			
(T-905)(T-912)(T-915).....	59 01.....	AR	342 5606
(Black)(Door)(T-919)(T-920)(T-921)			
(T-922)(T-925)(T-932)(T-935)(T-942)			
(T-945)(T-946)(T-947)(T-948)(T-949)			
(T-952)(T-955)(T-956)(T-957)(T-958)			
(T-959)(T-962)(T-965)(T-972)(T-975)			
(T-982)(T-985)(T-986)(T-987)(T-988)			
(T-989)(T-992)(T-995)(T-996)(T-997)			
(T-998)(T-999).....	59 10-20-80.....	AR	342 7905
(Black)(Ctr. Pillar)(T-922)(T-925)			
(T-932)(T-935)(T-942)(T-945)(T-946)			
(T-947)(T-948)(T-949)(T-952)(T-955)			
(T-956)(T-957)(T-958)(T-959)(T-982)			
(T-985)(T-986)(T-987)(T-988)(T-989)			
(T-992)(T-995)(T-996)(T-997)(T-998)			
(T-999).....	59 19-29-83-89.....	AR	342 6983
(Dark Blue)(Door)(T-903)(T-913)....	59 04-06.....	AR	343 5493
(T-923)(T-933)			
(T-943)(T-953)(T-963)(T-973)(T-983)			
(T-993).....	59 10-20-80.....	AR	343 5490
(Dark Blue)(Ctr. Pillar)(T-923)			
(T-933)(T-943)(T-953)(T-963)(T-983)			
(T-993).....	59 19-29-83-89.....	AR	343 4114
(Med. Green)(Door)(T-904)(T-914)....	59 04-06.....	AR	343 5494
(T-924)(T-934)			
(T-944)(T-954)(T-964)(T-974)(T-984)			
(T-994).....	59 10-20-80.....	AR	343 5491
(Med. Green)(Ctr. Pillar)(T-924)			
(T-934)(T-944)(T-954)(T-984)(T-994)..	59 19-29-83-89.....	AR	343 4116
(Copper)(Door)(T-941)(T-951)(T-981)			
(T-991).....	59 10-20-80.....	AR	343 5492
(Ctr. Pillar)(T-941)(T-951)			
(T-981)(T-991).....	59 29-83-89.....	AR	343 9510
CAP, Center Pillar Stormstrip (Blue)(Rubber)...	59 19-29-83-89.....	2	343 4122
(Black)(Rubber)...	59 19-29-83-89.....	2	341 7067
(Green)(Rubber)...	59 19-29-83-89.....	2	343 4124
(Copper)(Rubber)...	59 29-83-89.....	2	343 9514
CLIP, Stormstrip To Hinge And Lock Pillar.....	59 15-18-25-85-88.....	4	438 4634
Center Pillar.....	59 15-18-25-85-88.....	4	437 0981

29.367 BUTTON, Upholstery

BUTTON (Vinyl Covered)(3/4")(Gray).....	59 10-20.....	AR	343 4142
(Blue).....	59 10-20.....	AR	343 4144
(Green).....	59 10-20.....	AR	343 4146
(Copper).....	59 10-20.....	AR	343 4148
(Red).....	59 10-20.....	AR	343 4604
(Yellow).....	59 10-20.....	AR	343 4606
(Hibiscus).....	59 10-20.....	AR	343 4150
(Aqua).....	59 10-20.....	AR	343 4152
(Beige).....	59 10-20.....	AR	343 9420
(1")(Gray).....	59 80.....	AR	343 4126
(Blue).....	59 80.....	AR	343 4128
(Green).....	59 80.....	AR	343 4130

AMERICAN MOTORS PARTS CATALOG

29,460

	59 80.....		AR	343 4132
(Copper).....				
(Red).....	59 80.....		AR	343 4138
(Yellow).....	59 80.....		AR	343 4140
(Hibiscus).....	59 80.....		AR	343 4134
(Aqua).....	59 80.....		AR	343 4136
(Beige).....	59 80.....		16	343 9422
(Incl. Loop Tie)(On Kick Pad)(Gray).....	59 10-20.....		AR	343 8111
(Blue).....	59 10-20.....		AR	343 8112
(Green)....	59 10-20.....		AR	343 8113
(Copper)...	59 10-20.....		AR	343 8115
(Red).....	59 10-20.....		AR	343 8114
(Yellow)...	59 10-20.....		AR	343 8118
(Hibiscus)...	59 10-20.....		AR	343 8117
(Aqua).....	59 10-20.....		AR	343 8116
(Beige)....	59 10-20.....		AR	343 9426
JIFFY JOIN (5-3/4").....	59 15-25-29-80.....		AR	343 8137
(4-7/8").....	59 10-20-80.....		AR	342 9707
(3-7/8").....	59 80.....		4	341 8947

29.420 CARPET, Rear Auxiliary (Cargo Mat) Floor

CARPET (Burtex)(Black).....	59 04.....		1	343 5774
	59 18-28-88.....		1	315 6220
(Blue).....	59 04.....		1	343 5775
	59 18-28-88.....		1	315 6221
(Green).....	59 04.....		1	343 5776
	59 18-28-88.....		1	315 6222
(Carpeting)(Black).....	59 18-28-83-88.....		1	343 4489
(Blue).....	59 18-28-83-88.....		1	343 4490
(Green).....	59 18-28-83-88.....		1	343 4491
(Copper).....	59 18-28-83-88.....		1	343 4720
STUD.....	59 04-18-28-83-88.....		9	321 098
SOCKET.....	59 04-18-28-83-88.....		9	309 480
BUTTON.....	59 04-18-28-83-88.....		9	G141994

29.425 CARPET, Rear Seat Back Pan (Mat)

CARPET (Burtex)(Black).....	59 04.....		1	343 5761
	59 18-28-88.....		1	343 4543
(Blue).....	59 04.....		1	343 5762
	59 18-28-88.....		1	343 4544
(Green).....	59 04.....		1	343 5763
	59 18-28-88.....		1	343 4545
(Carpeting)(Black).....	59 18-28-83-88.....		1	343 4537
(Blue).....	59 18-28-83-88.....		1	343 4538
(Green).....	59 18-28-83-88.....		1	343 4539
(Copper).....	59 18-28-83-88.....		1	343 9768

29.450 PANEL, Rear Compartment Side Trim (Front)

SCREW (Incl. Washer).....	59 18-28-83-88.....		12	439 5412
FASTENER.....	59 18-28-83-88.....		12	432 6267

29.460 PANEL, Rear Compartment Side Trim (Rear)

SCREW (Incl. Washer).....	59 18-28-83-88.....		12	439 5412
---------------------------	---------------------	--	----	----------